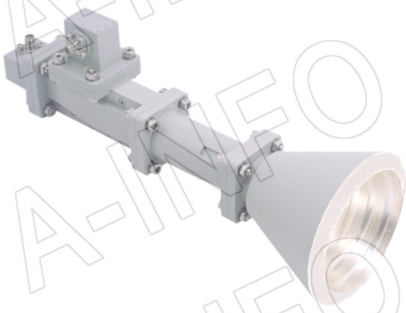


For reference only. See data sheet for the detailed specifications.

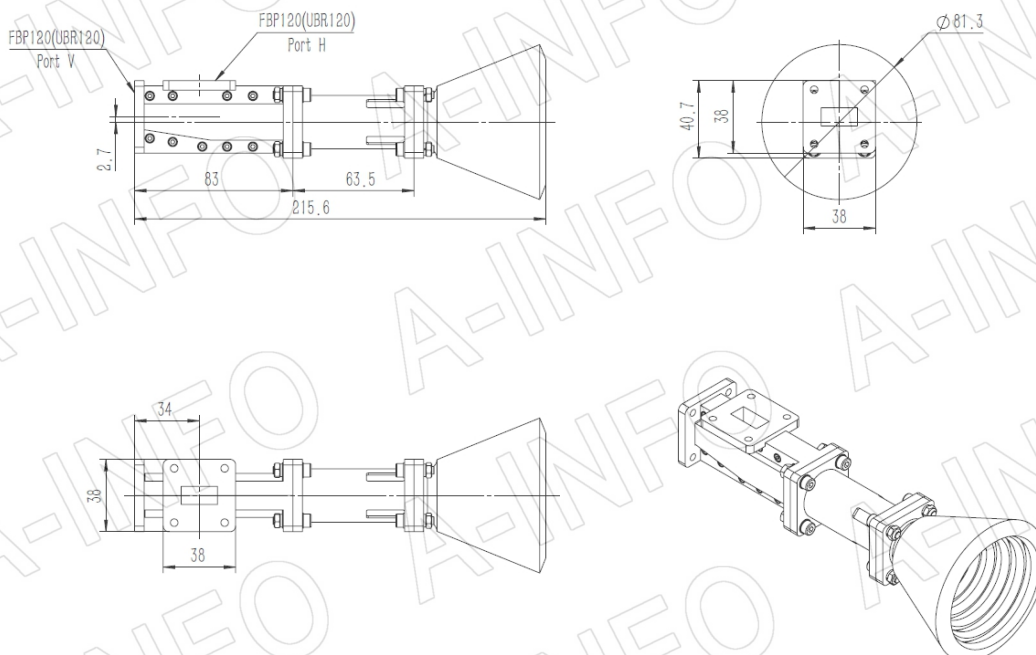
## Technical Specification

Frequency Range(GHz)	11.0 - 14.0
Waveguide	WR75
Gain(dBi)	15 Typ.
Polarization	Dual Linear
3dB Beamwidth(deg)	E Plane: 28 Typ.
	H Plane: 27 Typ.
Cross Pol. Isolation(dB)	45 Typ.
Port to Port Isolation(dB)	55 Typ. ; 45 Min.
VSWR	A Type: 1.50:1 Typ.
	C Type: 1.60:1 Typ.
Output	A Type: FBP120(UBR120) SMA-Female or N-Female
	C Type: or TNC-Female or 7mm or 3.5mm-Female
Material	Al
Finish	Silver Plated and Chemical Conversion Coating, Gray Paint
Size(mm)	A Type: 81.3 x 81.3 x 215.6
	C Type: 81.3 x 92.4 x 245.6
Net Weight(Kg)	A Type: 0.45 Around
	C Type: 0.55 Around



## Outline Drawing (Size: mm)

FBP120 Output (P/N: LB-CH-75-15-T16-A)



**AINFO Inc.**

China(Beijing): Tel: (+86) 10-6266-7326,  
China(Chengdu): Tel: (+86) 28-8519-2786,  
USA : Tel: (+1) 949-639-9688,

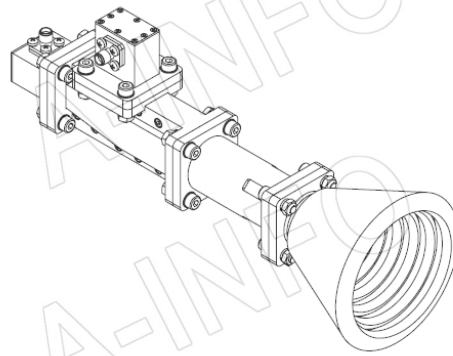
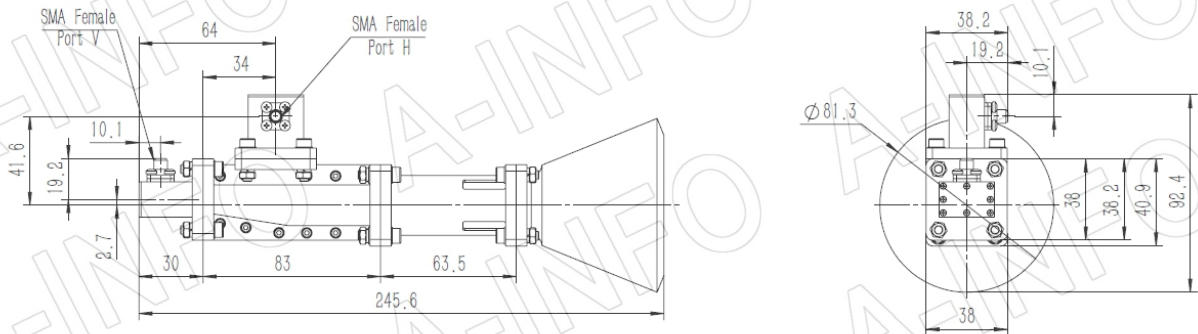
Page 1 of 10

(+86) 10-6266-7327 Fax: (+86) 10-6266-7379  
(+86) 28-8519-3044 Fax: (+86) 28-8519-3068  
(+1) 949-639-9608 Fax: (+1) 949-639-9670

Website: [www.ainfoinc.com](http://www.ainfoinc.com)  
Email: [sales@ainfoinc.com](mailto:sales@ainfoinc.com)

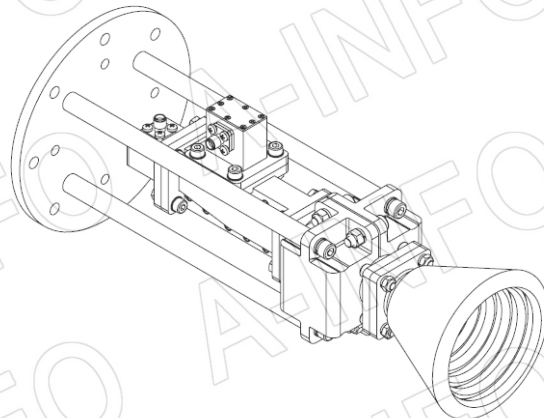
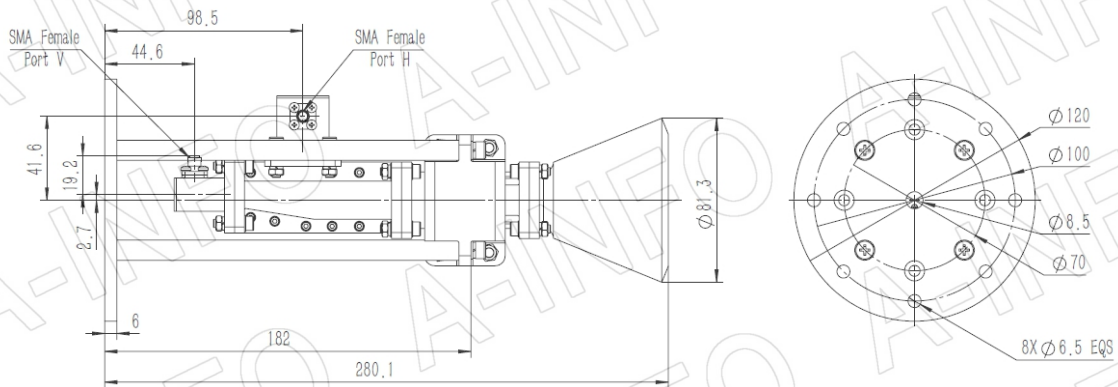
## SMA-Female Output (P/N: LB-CH-75-15-T16-C-SF)

For N-Female, TNC-Female, 7mm or 3.5mm-Female output outline drawing, please contact A-INFO.



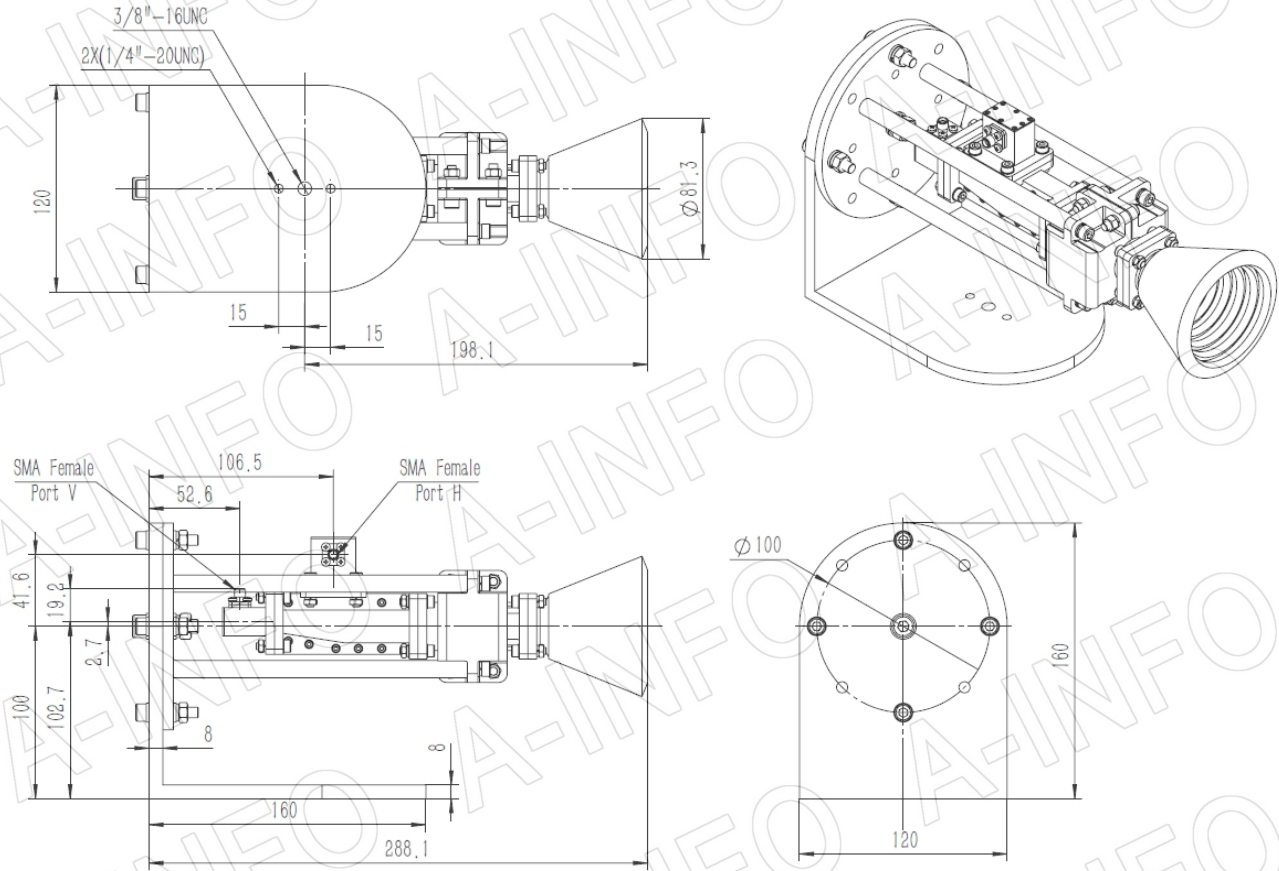
## SMA-Female Output with Round Mounting Bracket (Option, P/N: LB-CNH-75-10-MB)

For N-Female, TNC-Female, 7mm or 3.5mm-Female output outline drawing, please contact A-INFO.

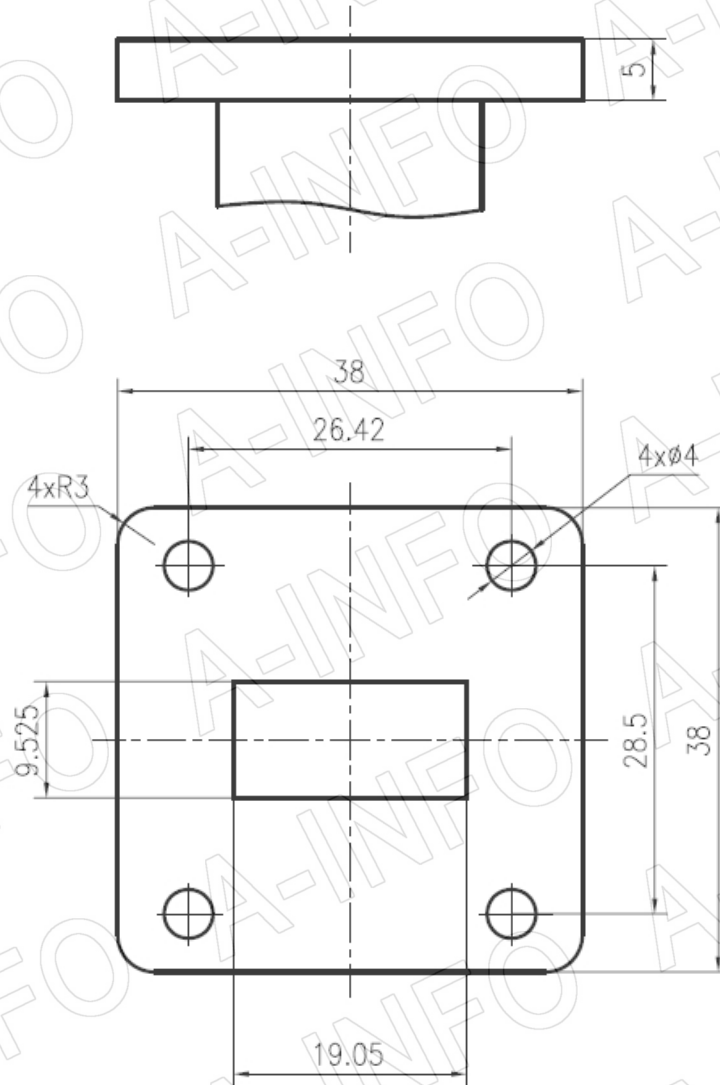


SMA-Female Output with L Type Mounting Bracket (Option, P/N: LB-CNH-75-10-MBL)

For N-Female, TNC-Female, 7mm or 3.5mm-Female output outline drawing, please contact A-INFO.



## Flange Drawing (Size: mm)



FBP120

### AINFO Inc.

China(Beijing): Tel: (+86) 10-6266-7326,  
China(Chengdu): Tel: (+86) 28-8519-2786,  
USA : Tel: (+1) 949-639-9688,

Page 4 of 10

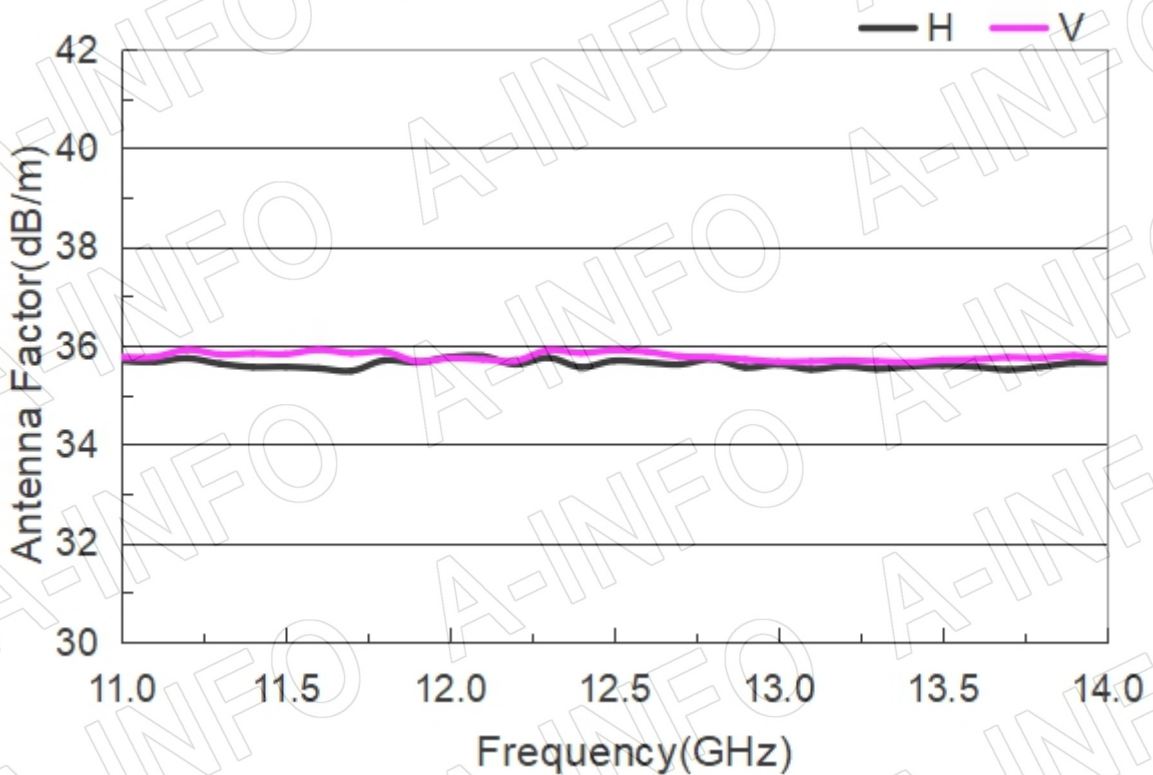
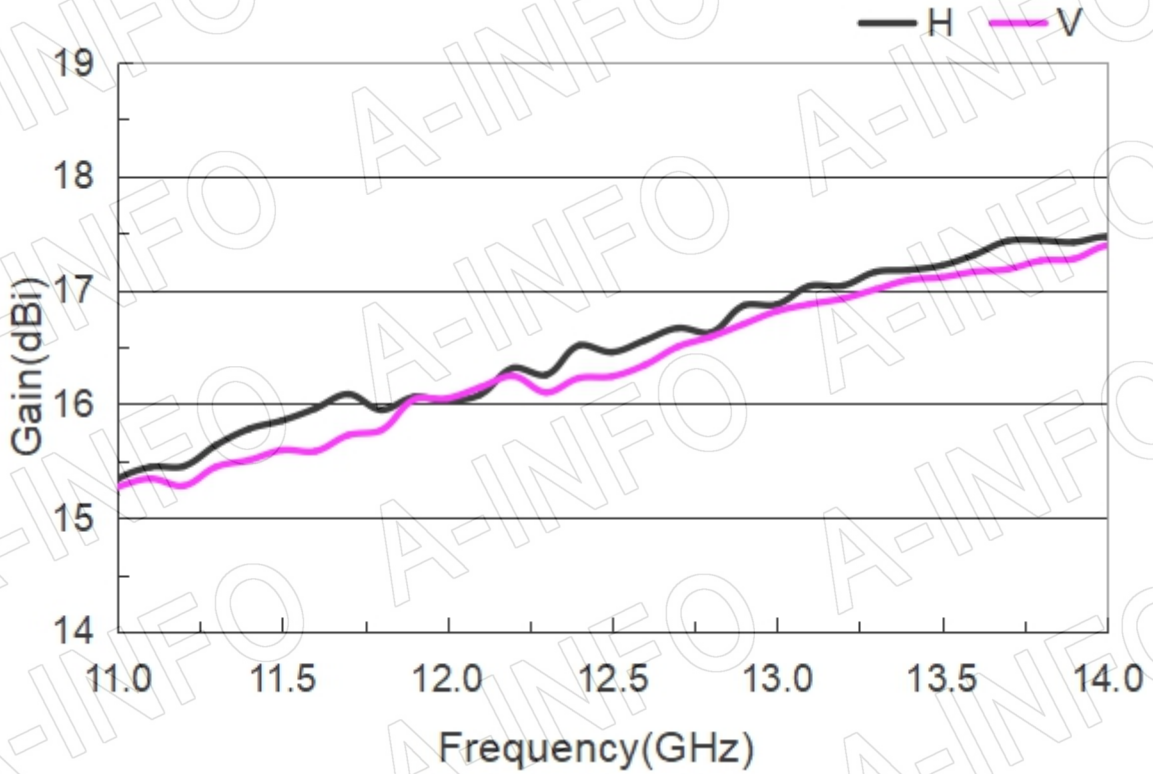
(+86) 10-6266-7327 Fax: (+86) 10-6266-7379  
(+86) 28-8519-3044 Fax: (+86) 28-8519-3068  
(+1) 949-639-9608 Fax: (+1) 949-639-9670

Website: [www.ainfoinc.com](http://www.ainfoinc.com)  
Email: [sales@ainfoinc.com](mailto:sales@ainfoinc.com)

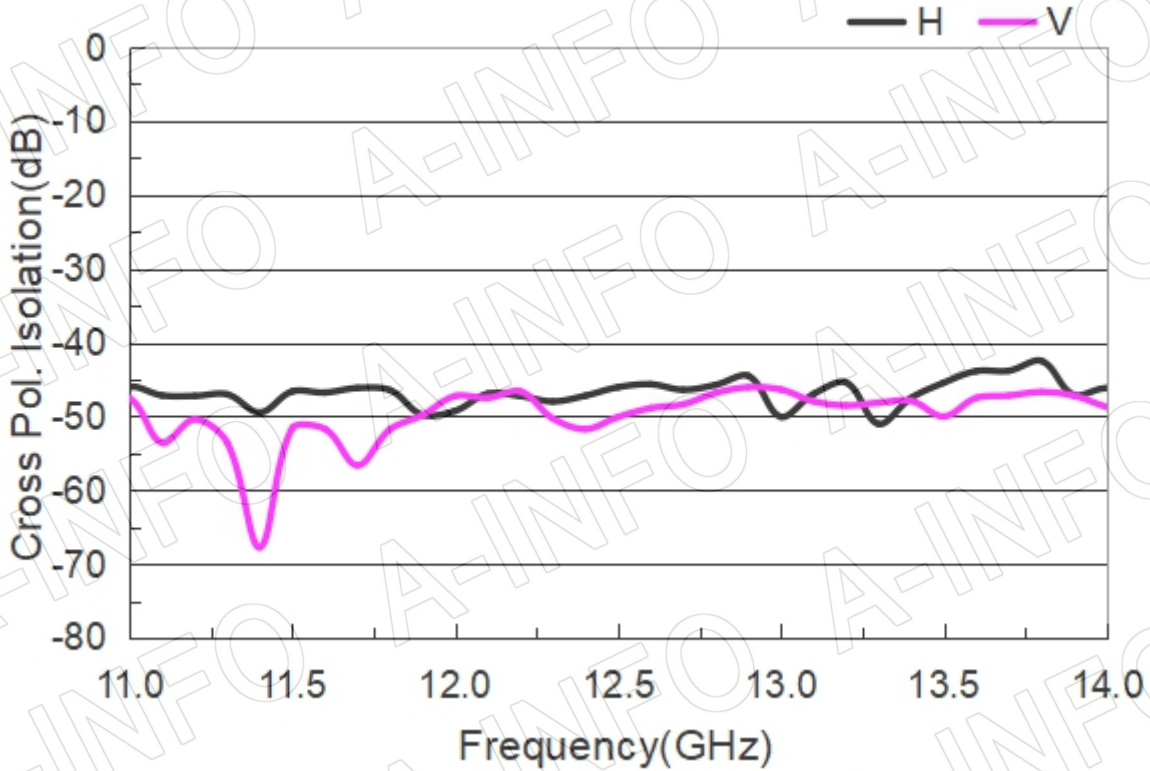


## Test Results

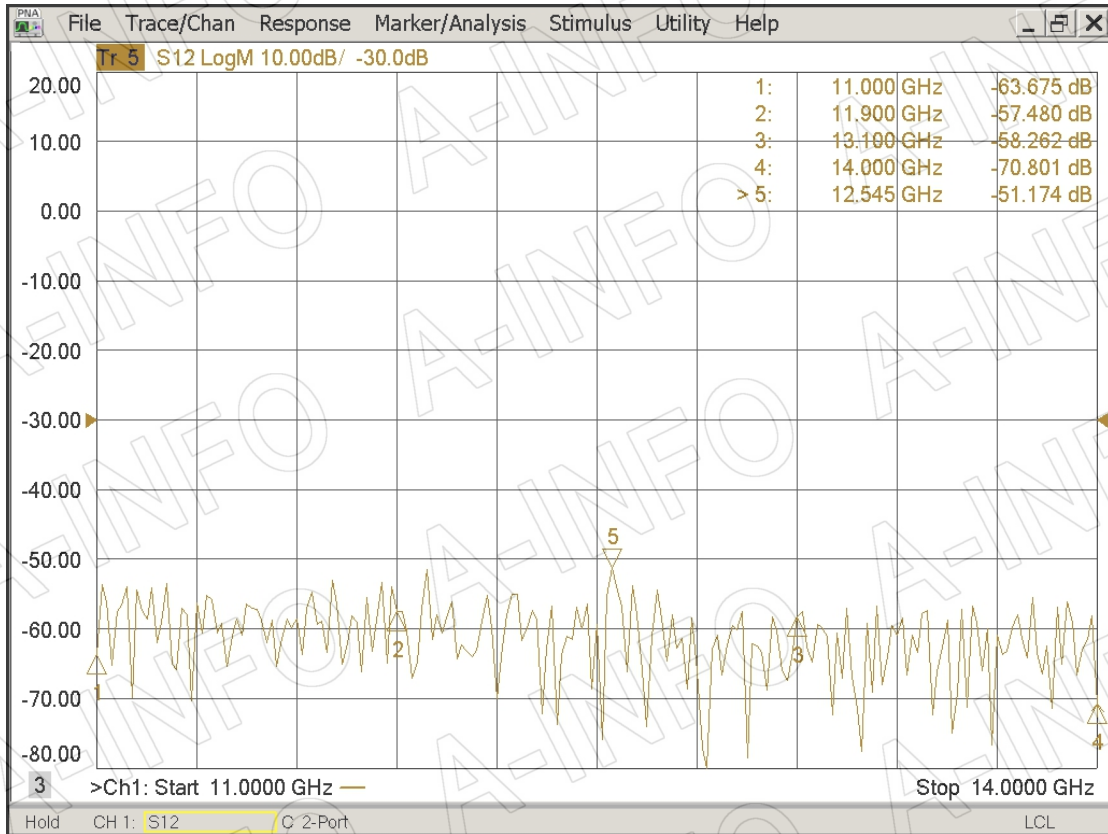
### 1. Gain & Antenna Factor



## 2. Cross Polarization Isolation

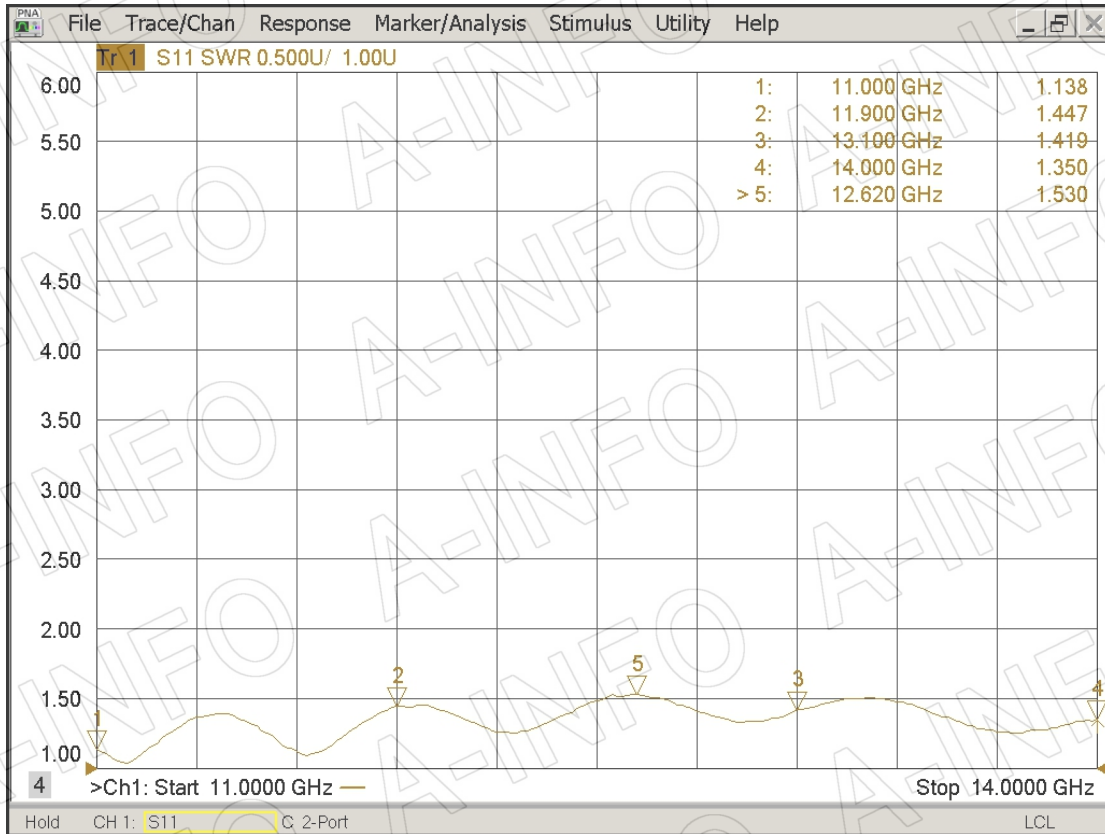


## 3. Port to Port Isolation

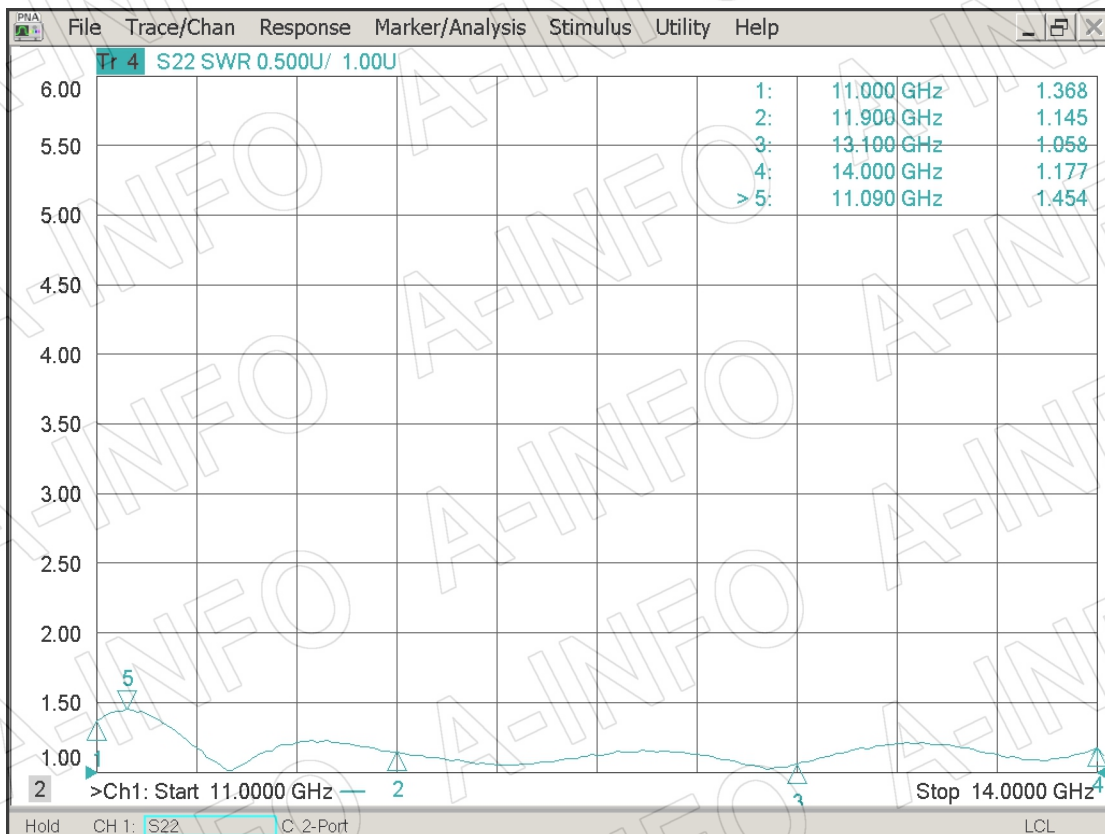


## 4. VSWR\_A Type

### Port-H



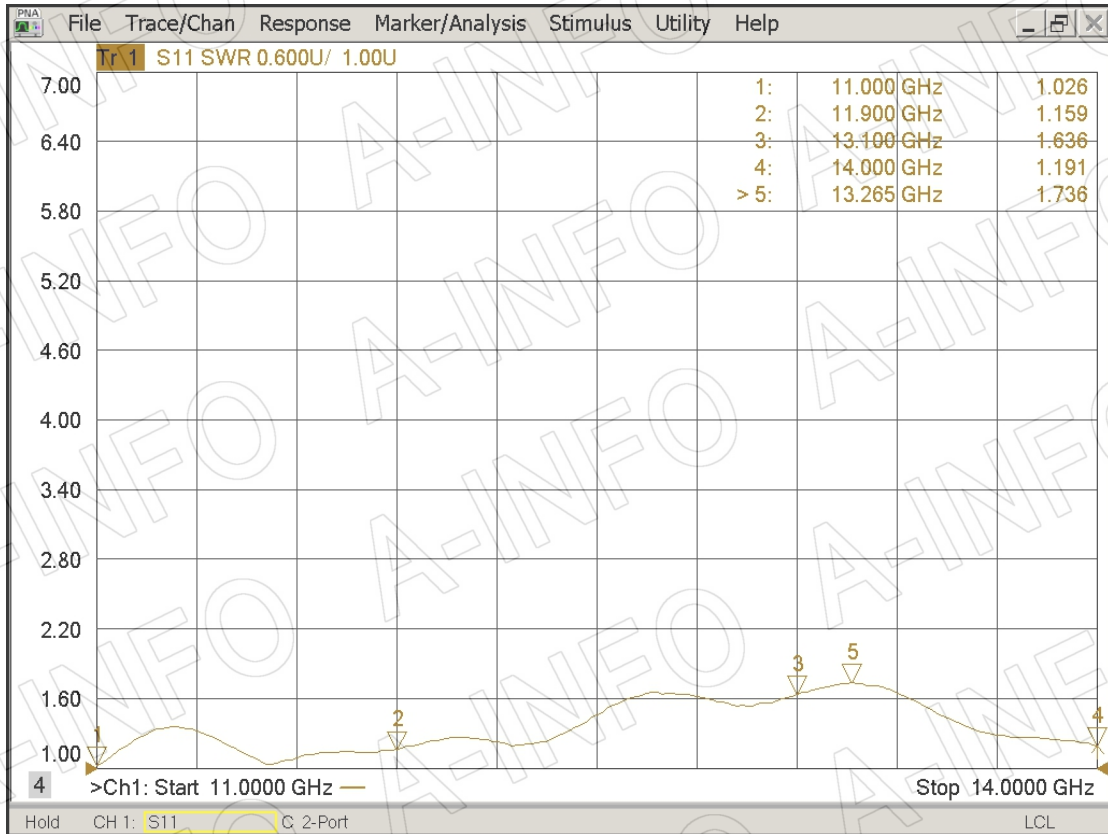
### Port-V



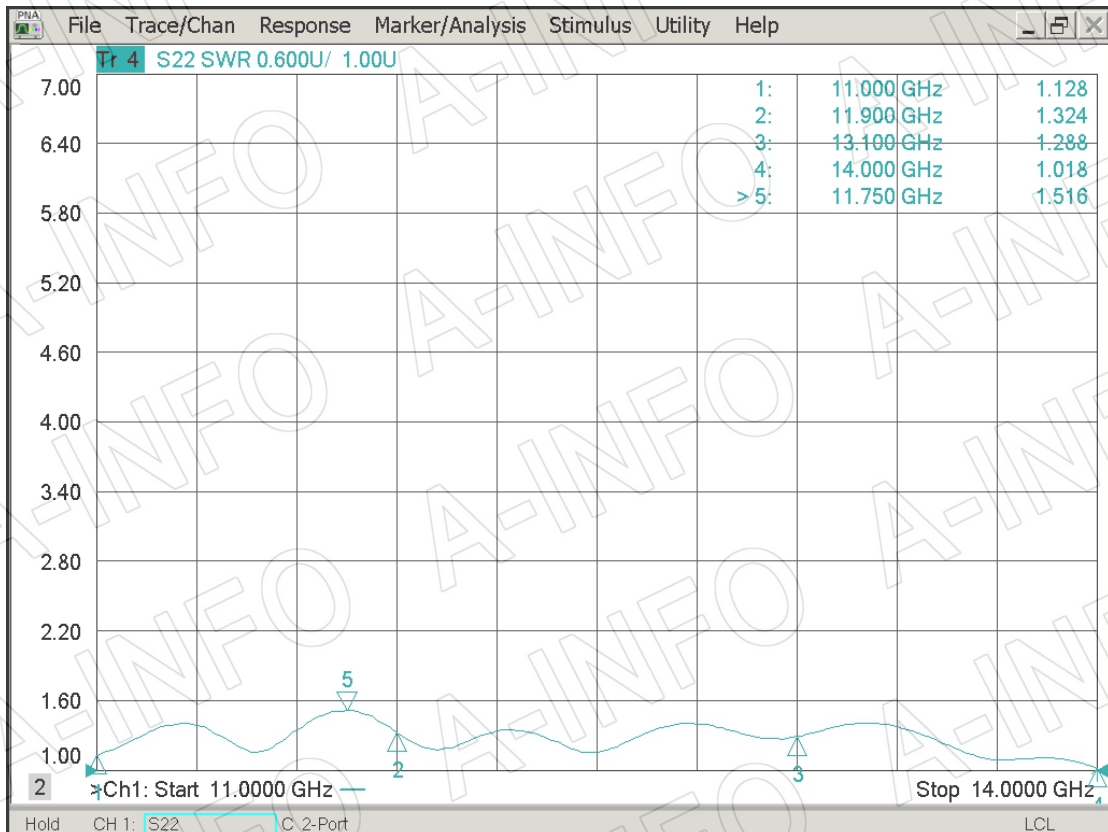


## VSWR\_C Type

### Port-H



### Port-V





## 5. Pattern

